

TECHNICAL DATA SHEET



ALTERNATOR SP10M G

Single-Phase brushless synchronous alternator with capacitor - 2 poles

SP10M G

COMMON DATA

Rated Power at 50Hz	kVA	5,0	
Rated Power at 60Hz	kVA	6,0	
Rated Power Factor		1	
Nominal Temperature	°C	40	
Control System		self-excited	
Execution		brushless	
Regulation Type		capacitor	
Insulation Class		H	
Protection		IP21	
Maximum Over speed	rpm	4500	
Overload		110% of rated power for one hour in a cycle of 6 hours	
Air Flow Requirement	m ³ /min	3,7 at 50Hz	4,6 at 60Hz
R.F.I. Suppression		Standard EN55011	

REGULATION DATA

Capacitor		Capacitor	
Capacitor	μF	25	
Voltage Regulation		±5%	
Sustained Short Circuit		> 250% of rated current	

WINDING DATA

Stator Winding		Single layer with auxiliary winding	
Rotor Winding		with damping cage	
Number of Leads of Stator		2	
Stator Winding Resistance	Ω	0,97 at 20°C	
Rotor Winding Resistance	Ω	4,27 at 20°C	
THD at full load		<6%	
THD at no load		<5%	

STANDARD

References	EN60034-1 ISO8528-3 EN55011
------------	-----------------------------

ON REQUEST

UL 1446, Systems of Insulating Materials - General CSA-C22.2 No. 0, Appendix B, General Requirements - Canadian Electrical Code, Part I

CAN/CSA - C22.2 No. 100-14 (R2009) Motors and Generators, UL1004-1 2nd ed. Rotating Electrical Machines - General Requirements, UL1004-4 2nd ed. Electric Generators

SP10M G

ELECTRICAL DATA

Frequency		50Hz - 3000rpm	60Hz - 3600rpm
Voltage Series Star	V	230	220
Rated Power in Class H (125°C/40°C)	kW	5,0	6,0
Rated Power in Class F (105°C/40°C)	kW	4,5	5,5

EFFICIENCY IN CL. H

4/4	76,0%	77,5%
3/4	77,0%	78,0%

MECHANICAL DATA

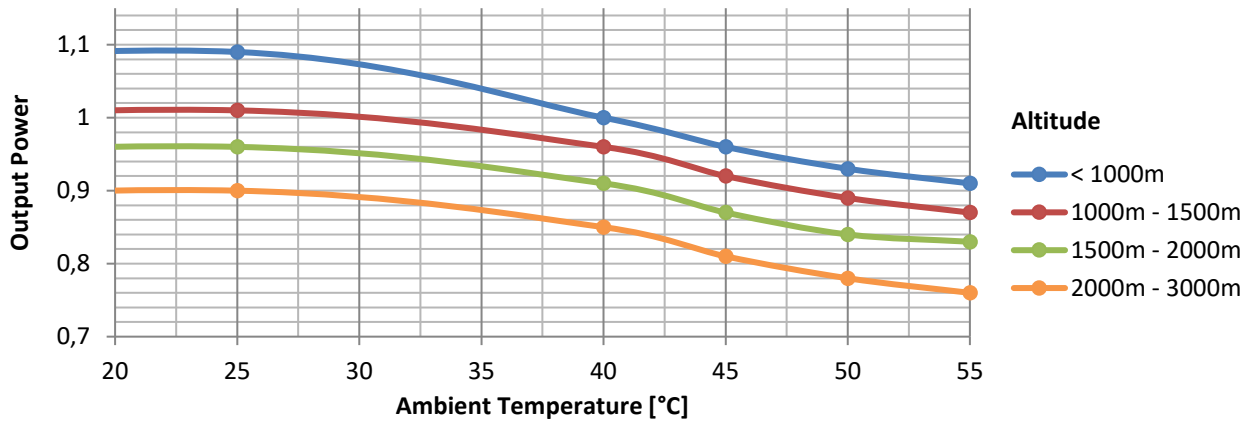
Bearing non drive end		6204-2Z-C3
Bearing drive end (B3/B14 form)		\
Weight of generator	in B2	kg
	in B3/B14	kg
	in B3/B9	kg
		21,0

SP10M G

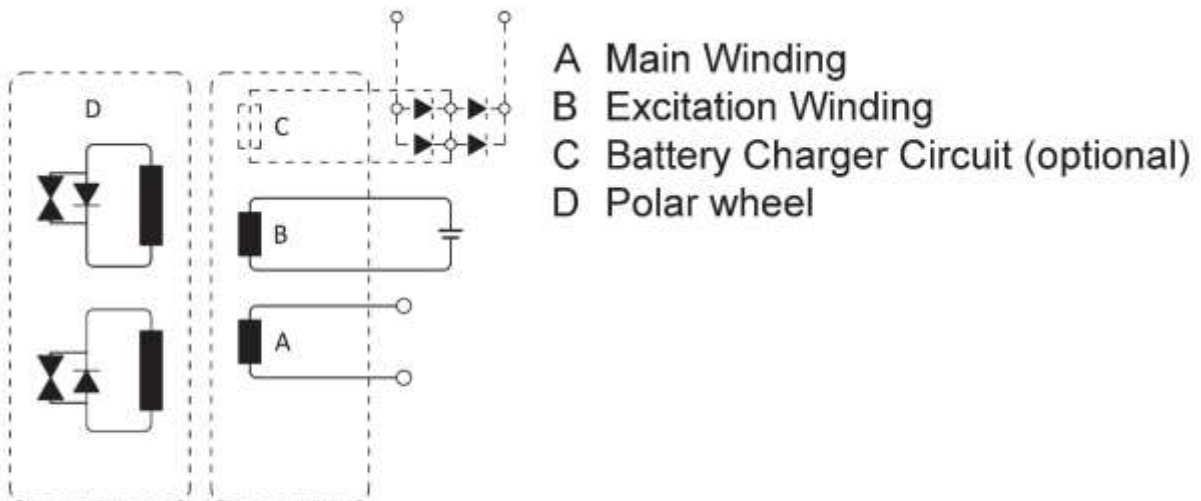
MOMENT OF INERZIA

B3/B9	kg·m ²	0,014
B3/B14	kg·m ²	\

DERATING CURVES



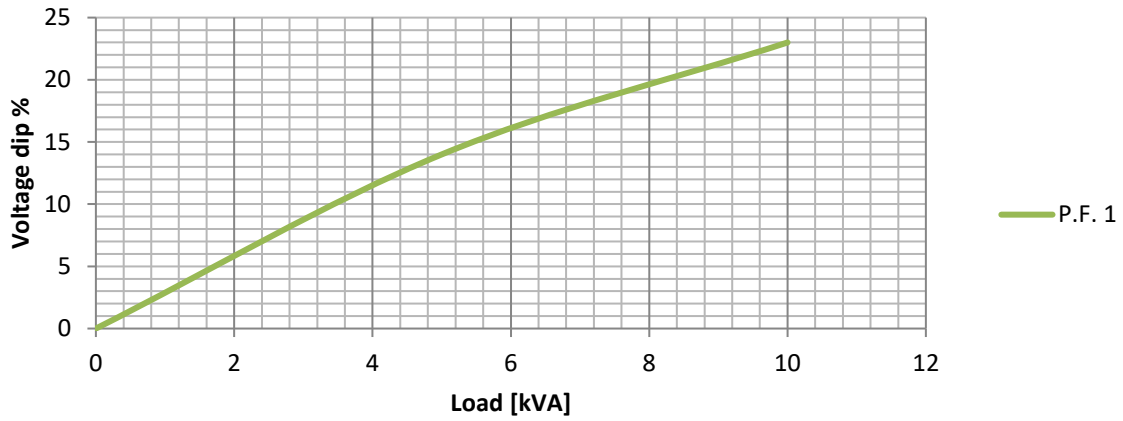
WIRING DIAGRAM



SP10M G

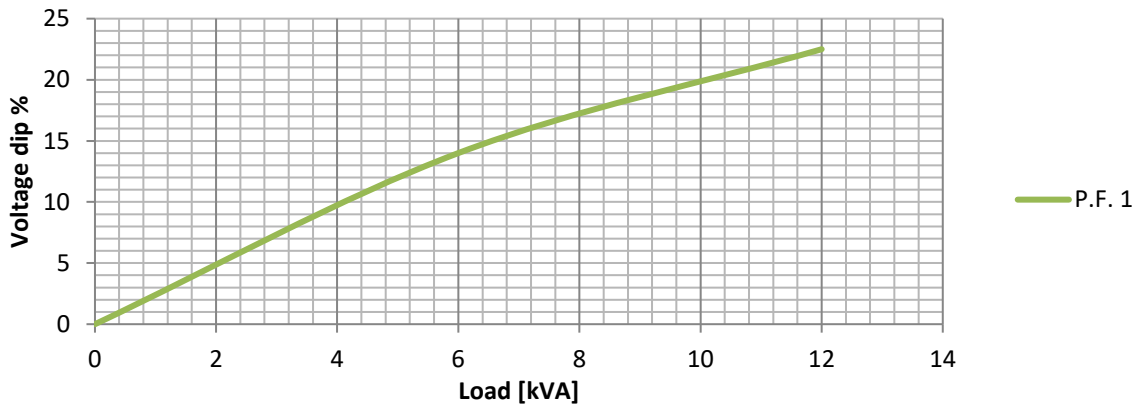
TRANSIENT VOLTAGE VARIATION 50Hz

Transient Voltage Variation @ 50Hz



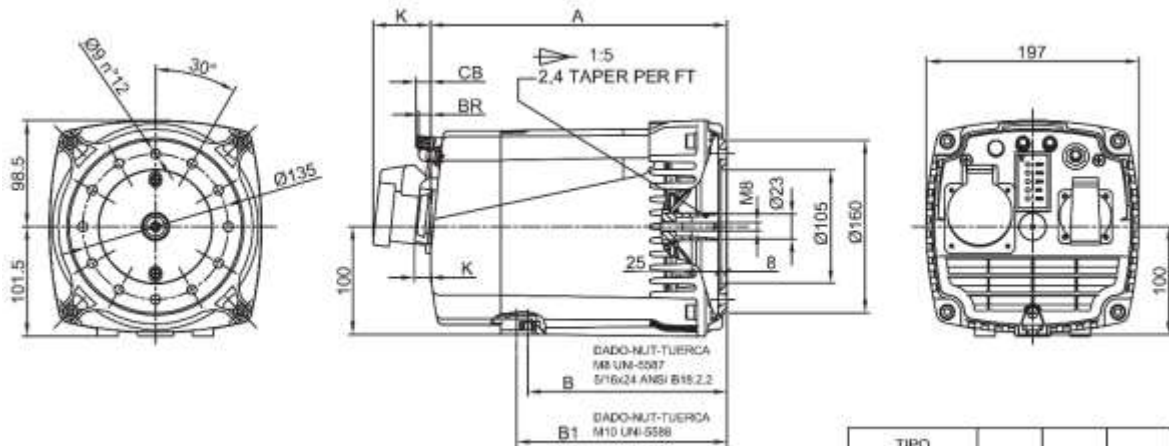
TRANSIENT VOLTAGE VARIATION 60Hz

Transient Voltage Variation @ 60Hz



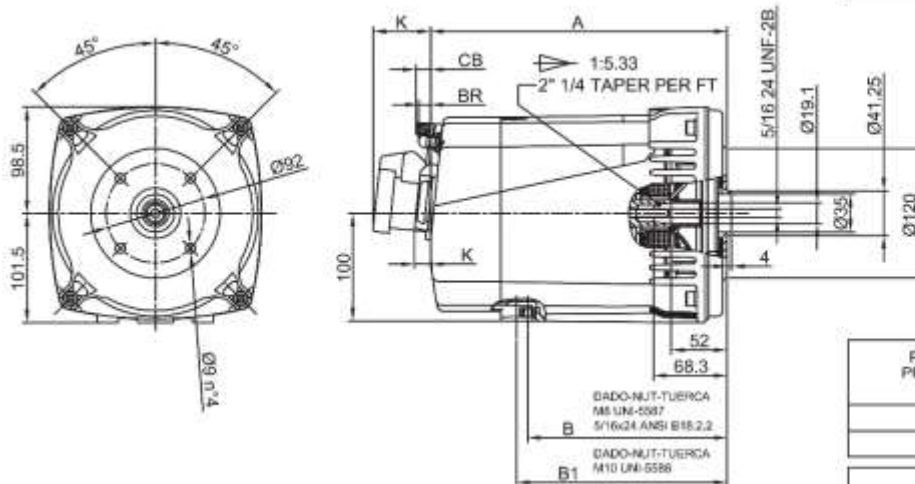
SP10M G

FORMA FORM FORME B9 C.23



TIPO TYPE TYP	A	B	B1
SP10 S	275	185	195
SP10 M	303	213	223

FORMA FORM FORME J609a



PRESE - SOCKETS PRISES - ENCHUFES STECKDOSEN	K
SCHUKO	15
CEE	53
BREAKER	BR 11
CARCA BATTERIE-BATTERY CHARGING CHARGE BATTERIE-BATTERIELADER CARGADOR DE BATERIAS	CB 13.5

FORMA FORM FORME J609b

